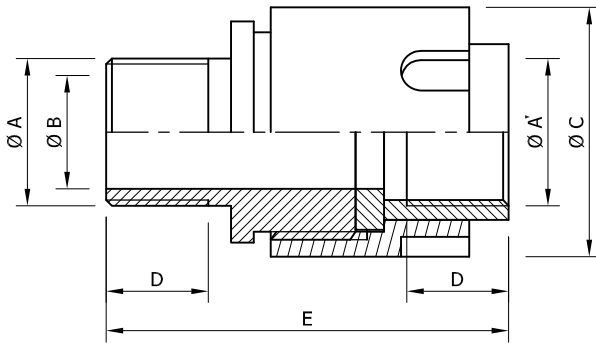
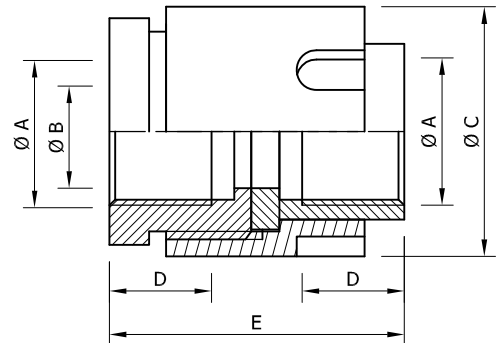



UNY

UNF


Rakor Tipi Gland Type	Ağırlık (kg) Weight	ØA		ØA'		Ölçüler Dimensions (mm)			
		NPT	METRIC	NPT	METRIC	ØB	ØC	D	E
UNY.1	0.20	1/2"	M20x1.5	1/2"	M20x1.5	15	38	18	71
UNY.2	0.30	3/4"	M25x1.5	3/4"	M25x1.5	20	44	18	71
UNY.3	0.40	1"	M32x1.5	1"	M32x1.5	25	52	23	88
UNY.4	0.50	1 1/4"	M40x1.5	1 1/4"	M40x1.5	32	63	23	88
UNY.5	0.60	1 1/2"	M50x1.5	1 1/2"	M50x1.5	37	69	23	92
UNY.6	0.70	2"	M60x1.5	2"	M60x1.5	50	84	23	94
UNY.7	0.80	2 1/2"	M75x1.5	2 1/2"	M75x1.5	62	108	25	100
UNY.8	0.90	3"	M90x2	3"	M90x2	74	128	25	104

Malzeme: Çelik / Material is Steel

Rakor Tipi Gland Type	Ağırlık (kg) Weight	ØA		Ölçüler Dimensions (mm)			
		NPT	METRIC	ØB	ØC	D	E
UNF.1	0.10	1/2"	M20x1.5	15	38	18	52
UNF.2	0.20	3/4"	M25x1.5	20	44	18	52
UNF.3	0.30	1"	M32x1.5	25	52	23	64
UNF.4	0.40	1 1/4"	M40x1.5	32	63	23	66
UNF.5	0.50	1 1/2"	M50x1.5	37	69	25	69
UNF.6	0.60	2"	M60x1.5	50	84	25	69
UNF.7	0.70	2 1/2"	M75x1.5	62	108	25	73
UNF.8	0.80	3"	M90x2	74	128	27	74